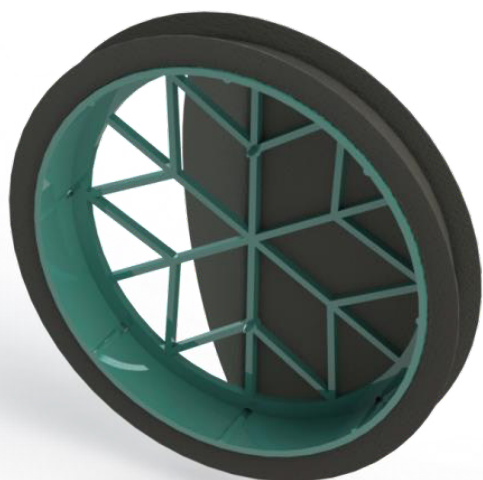


BRF 125 non-return flap



APPLICATION

The tight non-return flap BRF 125 is mounted inside the ventilation duct. It effectively protects against the undesirable phenomenon of ventilation air flow back. Compared to metal blades, the rubber flap membrane ensures optimal tightness of the system with the lowest possible noise level.

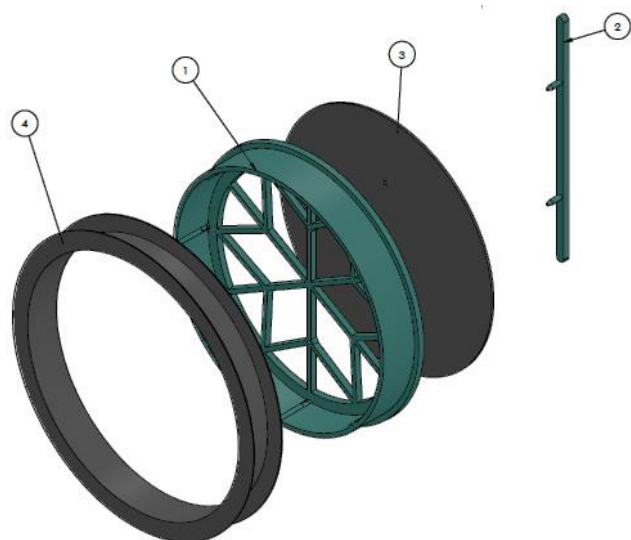
CONSTRUCTION

The body of the BRF 125 non-return flap is made of PS (polystyrene), and the seals and membranes are made of PDMA rubber.

INSTALLATION

The BRF 125 non-return flap is used in installations with circular ventilation ducts. When placing the damper in the ventilation duct, take into account: direction of the air flow.

CONSTRUCTION AND DIMENSIONS



No	Element
1	Body
2	Latch
3	Membrane
4	Seal

